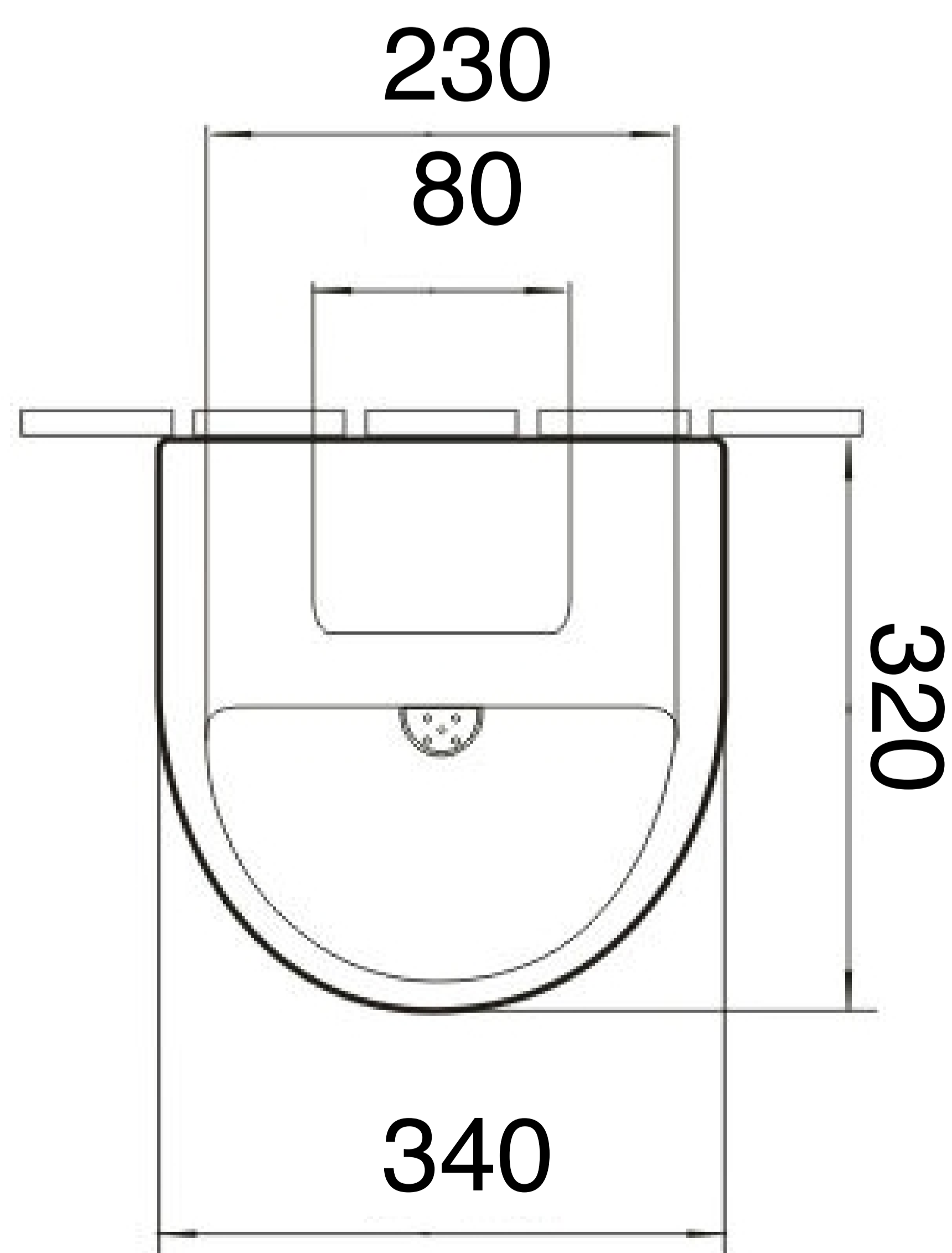
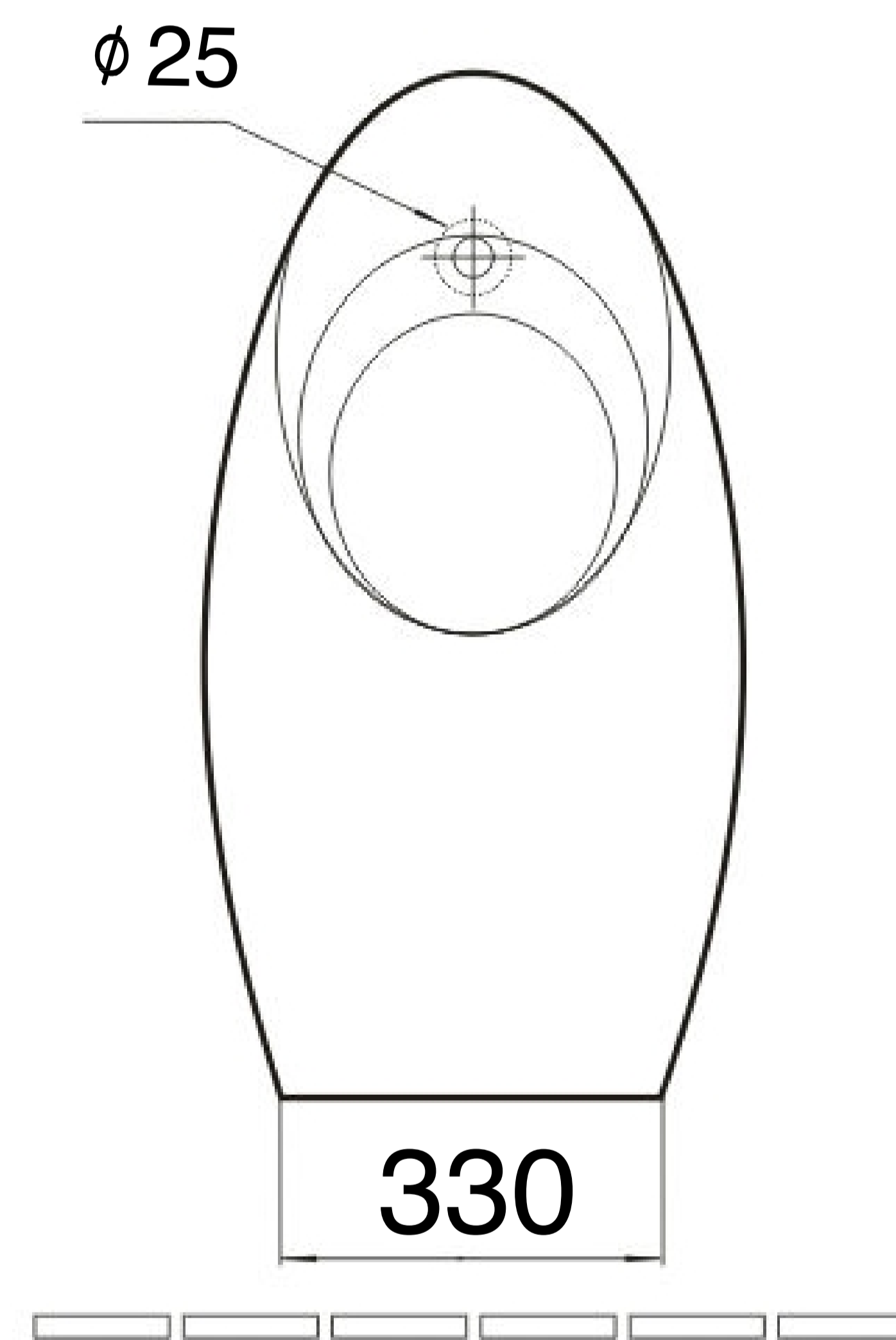
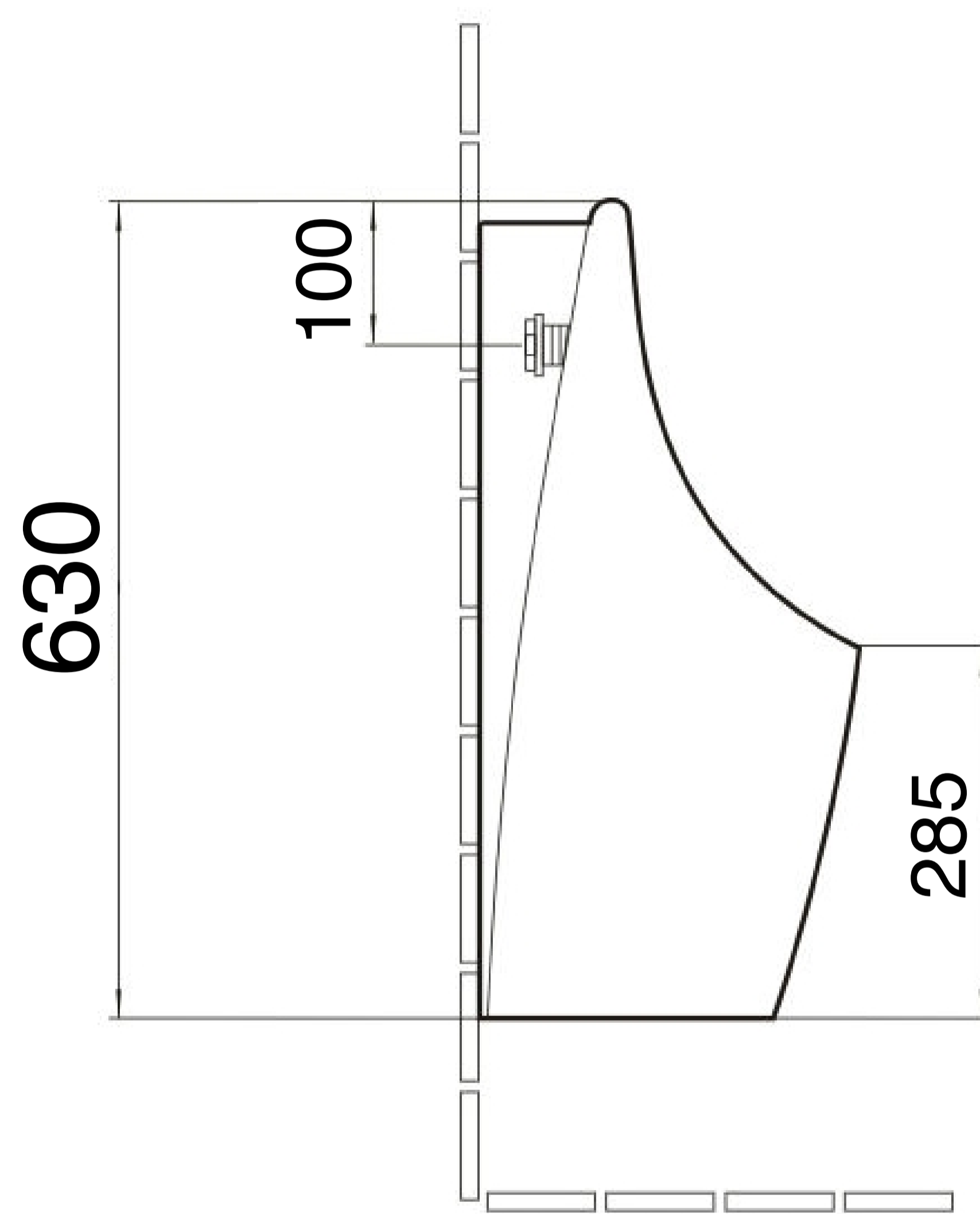




Urinal Back Inlet / Back Outlet

Product Code : 1643

Technical Drawing



All dimension are in **mm**